


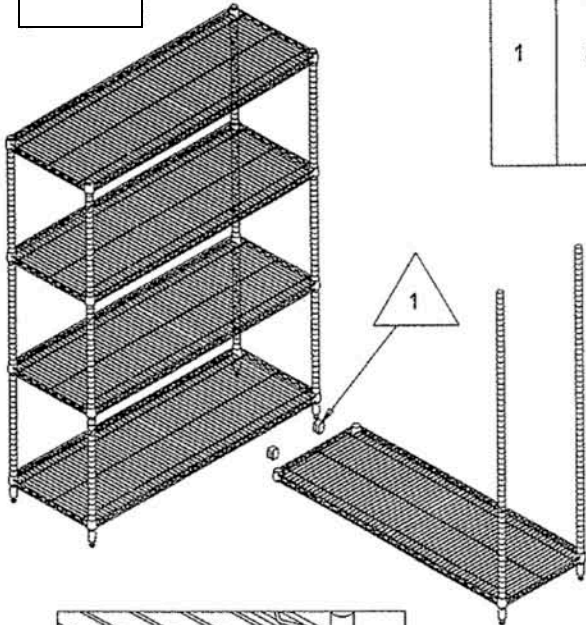
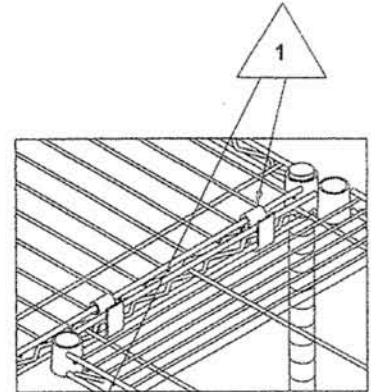
ASSEMBLY INSTRUCTIONS ADD ON UNIT



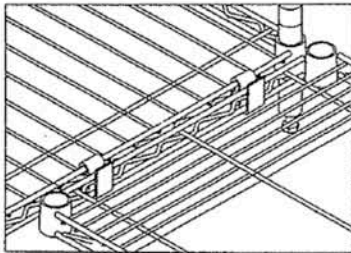
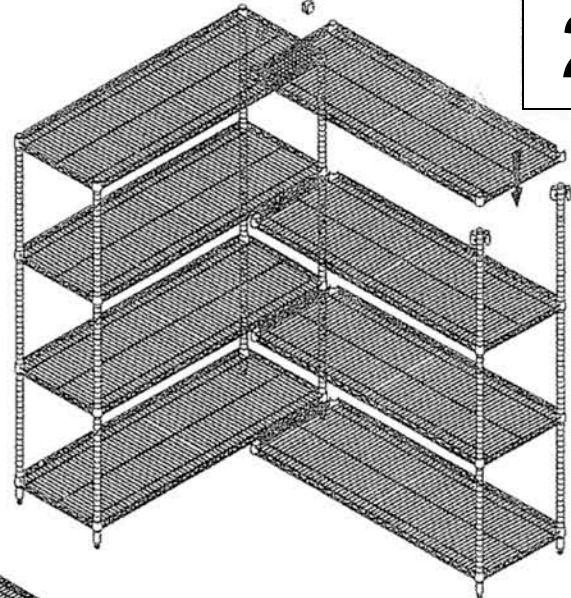
1

CONTENTS

REF.	QTY.	DESCRIPTION
1	8	



2



3

